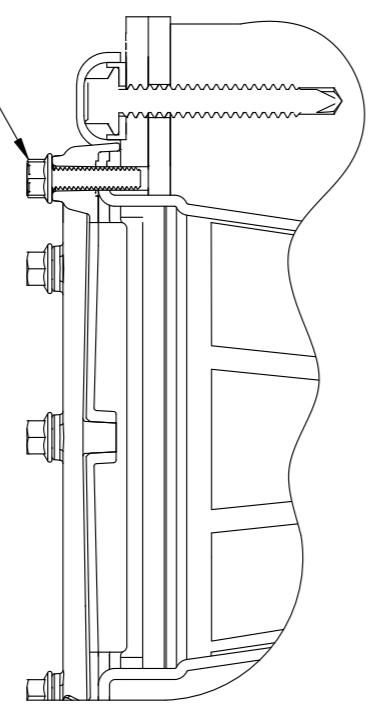


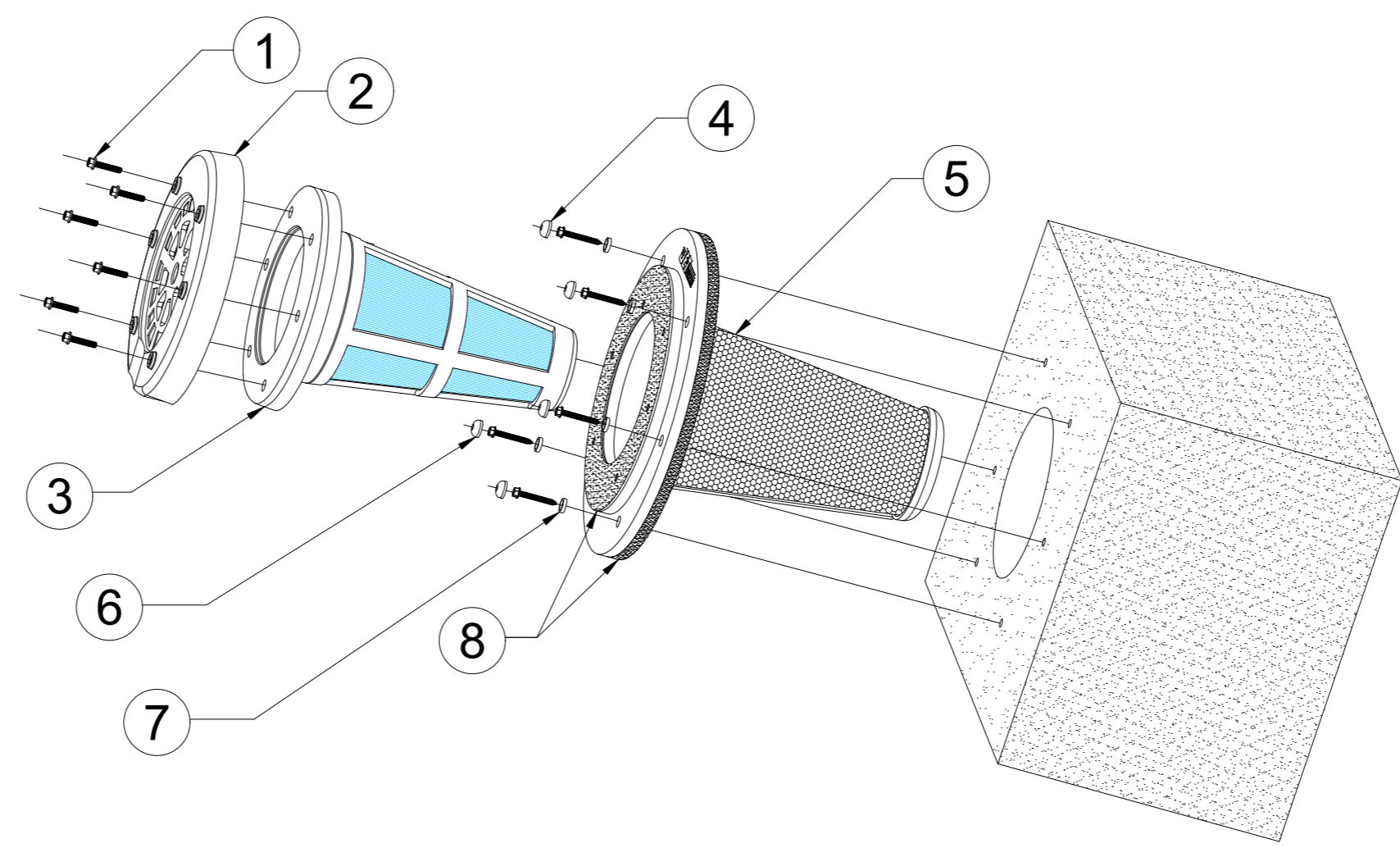
1 ¼-20 X 1" SCREW
Removable to maintain or replace the filter cartridge.

PRODUCT

INFORMATION

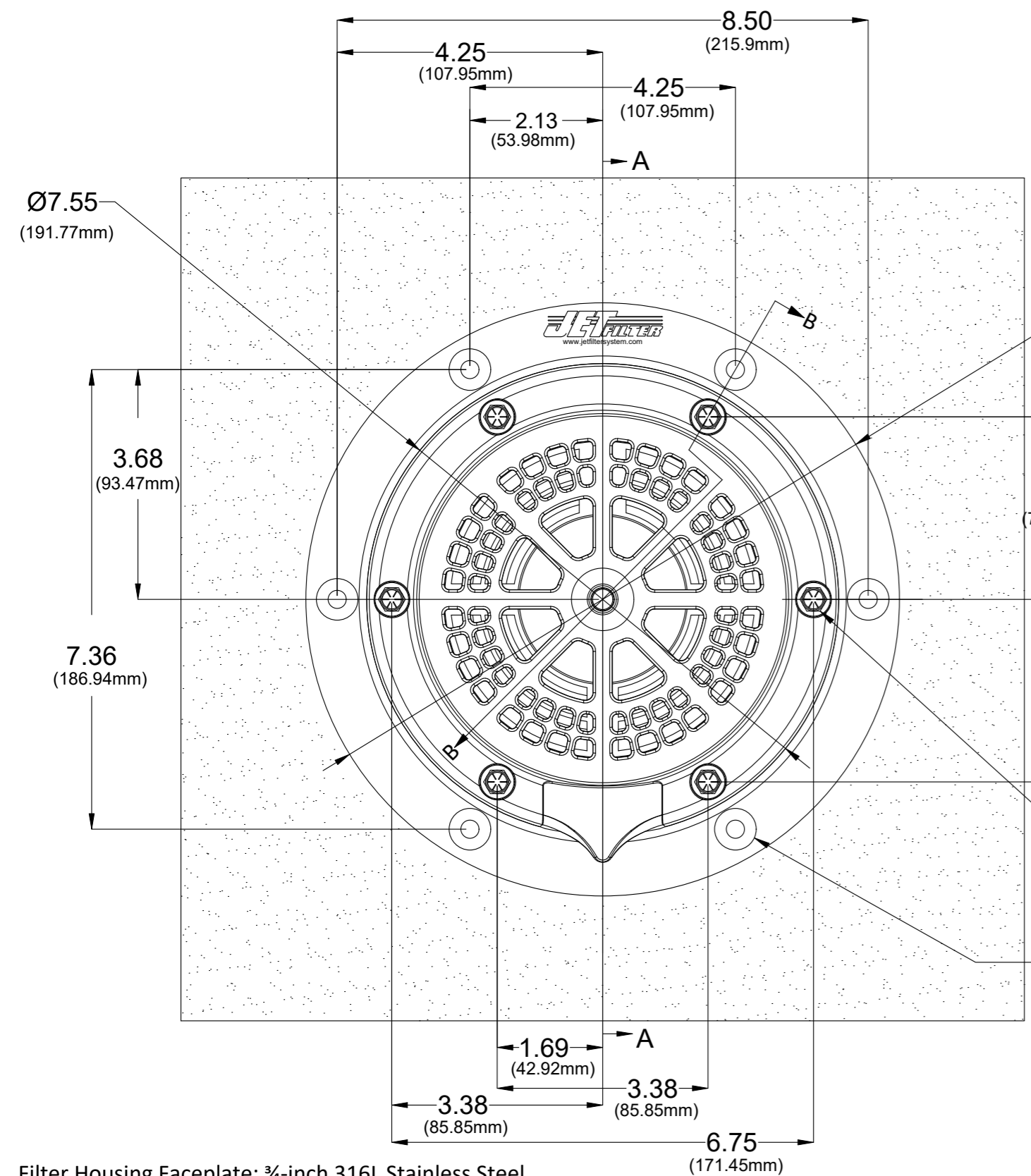
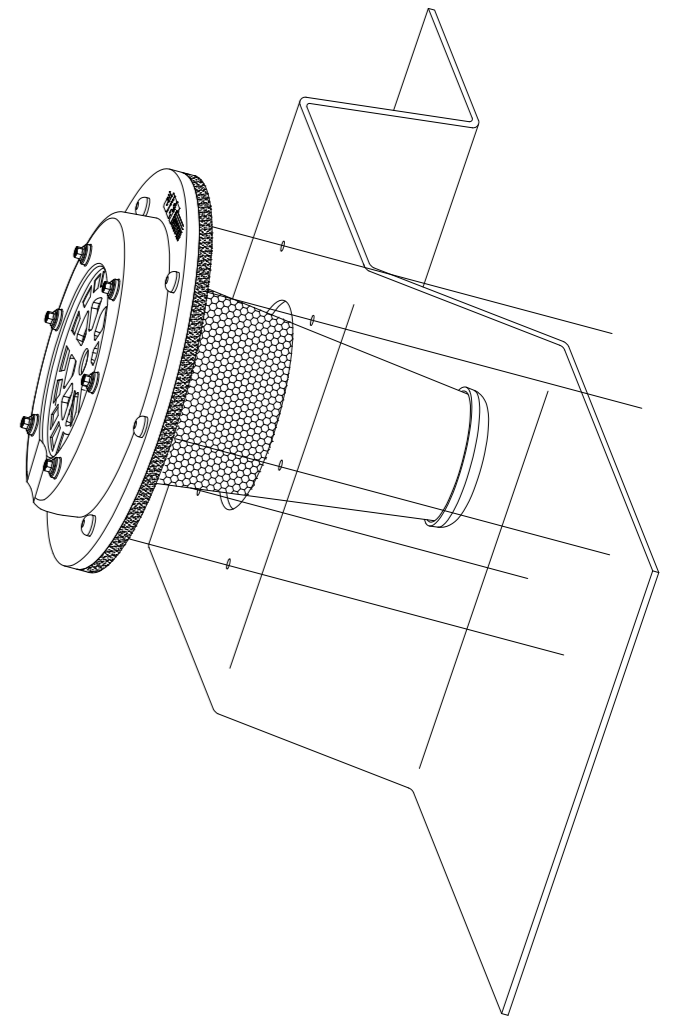


CROSS SECTION B-B



#	ITEM	DESCRIPTION	QTY
1	Screw, Filter Cartridge Mtg.	¼-20x1" Screw, 316ss with 3/8" hex head	6
2	JF6-FP	Cartridge Face Plate	1
3	JF6-FC	Filter Cartridge Assembly	1
4	Screw, Filter Housing Mtg.	¼-14x1¼" Screw, 316ss with 5/16" hex head	6
5	JF6-HSS	Filter Housing Assembly	1
6	PT4CBR100	Plastic Protection Cap	6
7	PT4W100	Plastic Protection Washer	6
8	Gaskets, Filter & Housing Mtg.	NeopreneRubber/EPDMPolymetric Blend	1 EA

PILOT HOLE SIZES FOR MOUNTING:
 CONCRETE/MSE: 3/16"
 STEEL: 7/32" to 15/64" (5.5mm to 6mm)
 VINYL: PILOT HOLE NOT REQUIRED
 COMPOSITE: PILOT HOLE NOT REQUIRED
 WOOD: PILOT HOLE NOT REQUIRED



Ø9.50 FILTER HOUSING
OUTSIDE DIAMETER
(107.95mm)

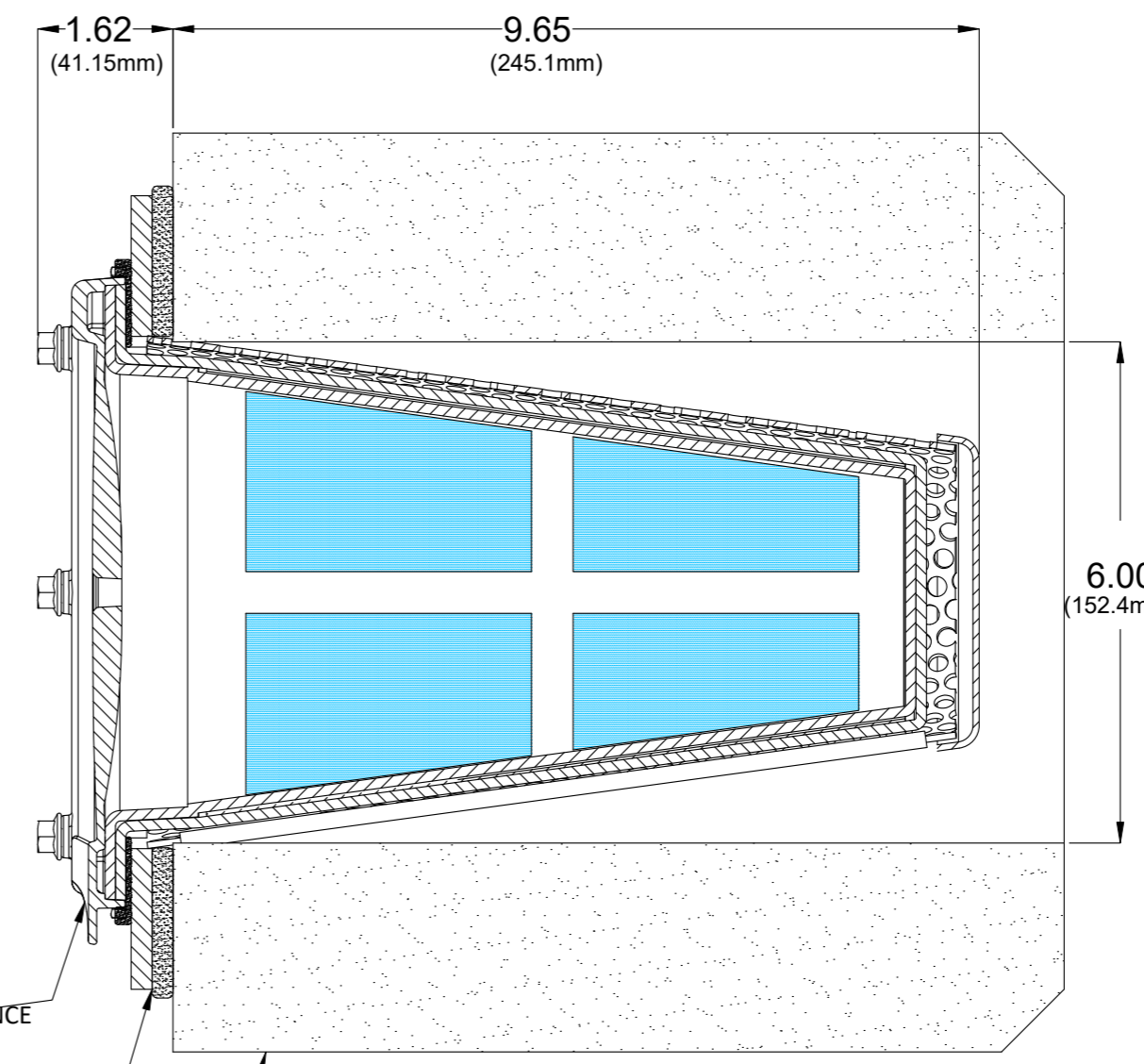
1 ¼-20 X 1" MOUNTING SCREW
REMOVABLE TO MAINTAIN
OR REPLACE THE FILTER CARTRIDGE

4 ¼-14 X 1¼" PERMANENT MOUNTING SCREW
COVERED WITH A PLASTIC PROTECTION CAP.

3 FILTER CARTRIDGE ASSEMBLY
REMOVABLE FOR MAINTENANCE

5 FILTER HOUSING ASSEMBLY
PERMANENT MOUNT

RETAINING WALL FACE
(CONCRETE/MSE, STEEL, VINYL, COMPOSITE, WOOD)



CROSS SECTION A-A

Filter Housing Faceplate: ¼-inch 316L Stainless Steel
 Filter Housing Cone: 16 Gauge 316L Stainless Steel perforated with ¼-inch holes, staggered 5/16-inch
 Filter Cartridge: UV Protected ABS
 Filter Media: 76.5 square inches of Tencate Mirafi Woven Fabrics FW300 & GEOJET Active Oil-Biodegrading textile



MEASUREMENTS ARE IN INCHES UNLESS OTHERWISE SPECIFIED

TOLERANCES UNLESS OTHERWISE SPECIFIED	
2 PLACES	3 PLACES
± 0.01	± 0.001
ANGLES ± 1.0°	

DEVIATIONS FROM INTENDED SHAPE (FLATNESS, ROUNDNESS, SQUARENESS ETC.) MUST BE WITHIN STATED TOLERANCES

REV	DATE	DESCRIPTION	INITIALS
01	20240827	INITIAL RELEASE	LB

JET Filter System / 107 NW 1st St. Casey, IL 62420
 info@jetfiltersystem.com / (800)475-2029

DRAWING NAME		6" Dia. Open End GEOJET	
PATENT # 7,615,148			
MATERIAL	SHRINKAGE	SCALE	REV 01
DRAWN BY LB	CHECKED BY	DWG NO. GEO6SS	PAGE # 1
DATE 20240827	SHEET 1 OF 1 SHEETS		