

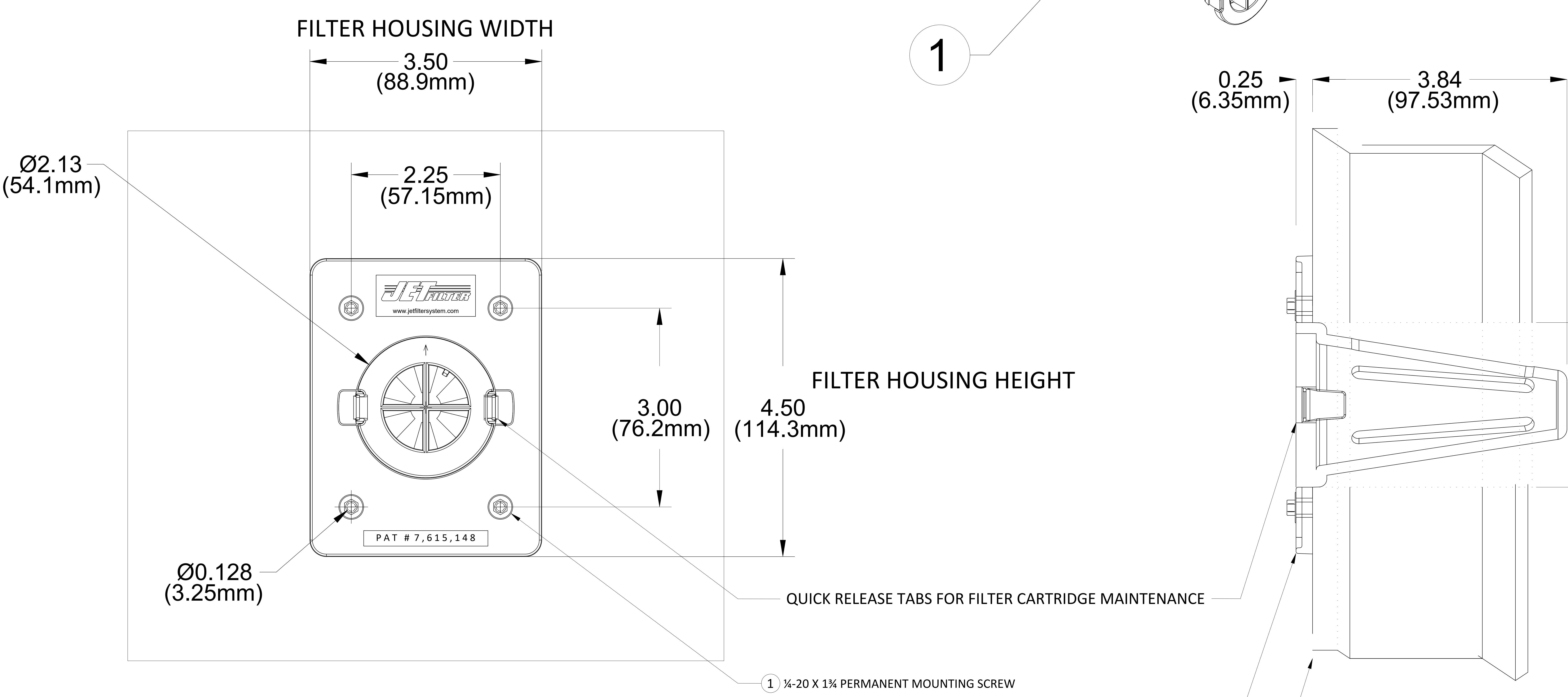
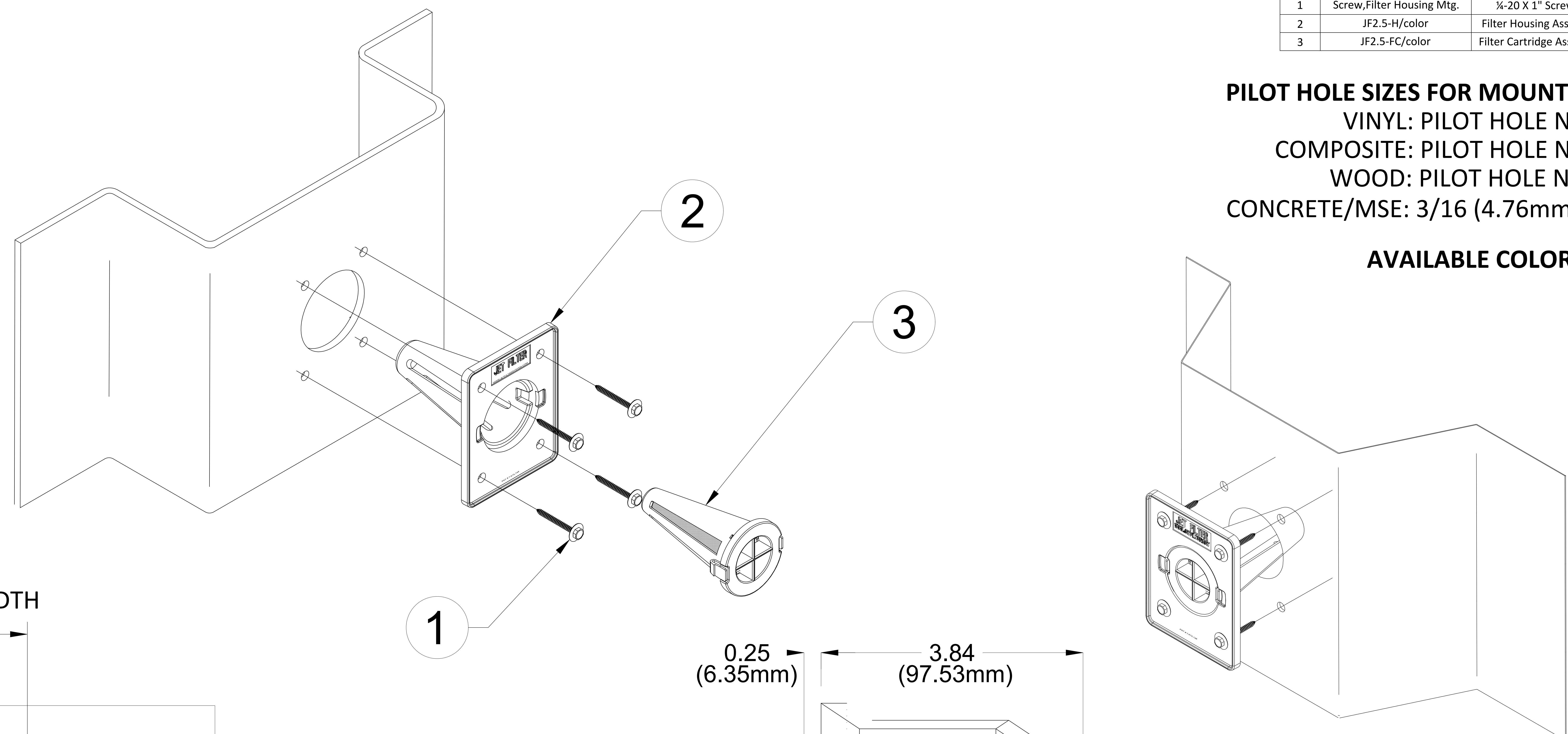
#	ITEM	DESCRIPTION	QTY
1	Screw, Filter Housing Mtg.	¼-20 X 1" Screw, 316 Stainless Steel	4
2	JF2.5-H/color	Filter Housing Assembly/*note the color*	1
3	JF2.5-FC/color	Filter Cartridge Assembly/*note the color*	1

**PILOT HOLE SIZES FOR MOUNTING:**  
 VINYL: PILOT HOLE NOT REQUIRED  
 COMPOSITE: PILOT HOLE NOT REQUIRED  
 WOOD: PILOT HOLE NOT REQUIRED  
 CONCRETE/MSE: 3/16 (4.76mm)

**AVAILABLE COLORS:** SLATE  
 BROWN  
 CLAY  
 GRAY

PRODUCT

INFORMATION



Filter Housing Cone: UV Protected ABS Plastic  
 Filter Cartridge: UV Protected ABS Plastic  
 Filter Media: 2.99 sq in (1929 sq mm) of flowable Tencate Mirafi Woven Fabrics FW300  
 Available Colors: Slate, Grey, Brown and Clay

SHEET PILE WALL FACE  
 (VINYL, COMPOSITE, WOOD, CONCRETE/MSE)



FILTER HOUSING BORE HOLE DIAMETER

2.50in (63.5mm)

1 ¼-20 X 1¾ PERMANENT MOUNTING SCREW

2 FILTER HOUSING ASSEMBLY PERMANENT MOUNT

CROSS SECTION

REV	DATE	DESCRIPTION	INITIALS
01	20210609	ADDED PROTECT CAPS, QR CODE, NOTES, SHEETPILE VIEW & SHADED WALLS	LB
02	20220225	ADDED METRIC MEASUREMENTS	LB
03	20220325	INCREASED LINE THICKNESS AND ADDED COLOR INFORMATION	LB

**JET Filter System** 107 NW 1st St.  
 Casey, IL 62420  
 info@jetfiltersystem.com (800)475-2029

DRAWING NAME		2.5" (63.5mm) Dia. Open End JET Filter	
PATENT # 7,615,148		SCALE 1:1	
TOLERANCES UNLESS OTHERWISE SPECIFIED	MATERIAL	SHRINKAGE	SCALE
2 PLACES ± 0.01	3 PLACES ± 0.001	ANGLES ± 1.0°	REV 03
DEVIATIONS FROM INTENDED SHAPE (FLATNESS, ROUNDNESS, SQUARENESS ETC.) MUST BE WITHIN STATED TOLERANCES		DATE 12-10-2019	PAGE # 1
DRAWN BY KCE		CHECKED BY ADK	DWG NO. JF2.5ABS
SHEET 1 OF 1		SHEETS	