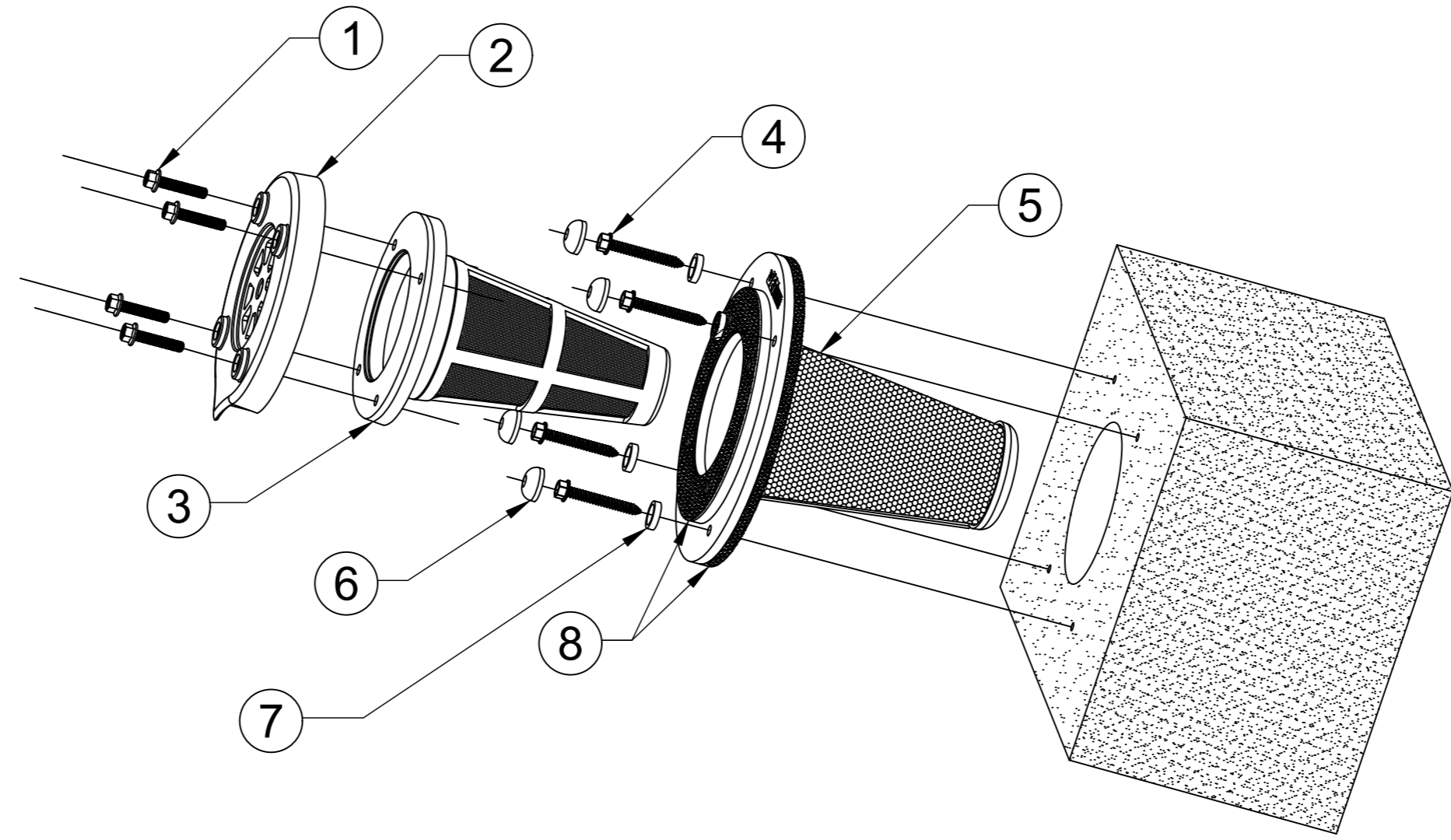


1 1/4-20 X 1" SCREW  
Removable to maintain or replace the filter cartridge.

PRODUCT

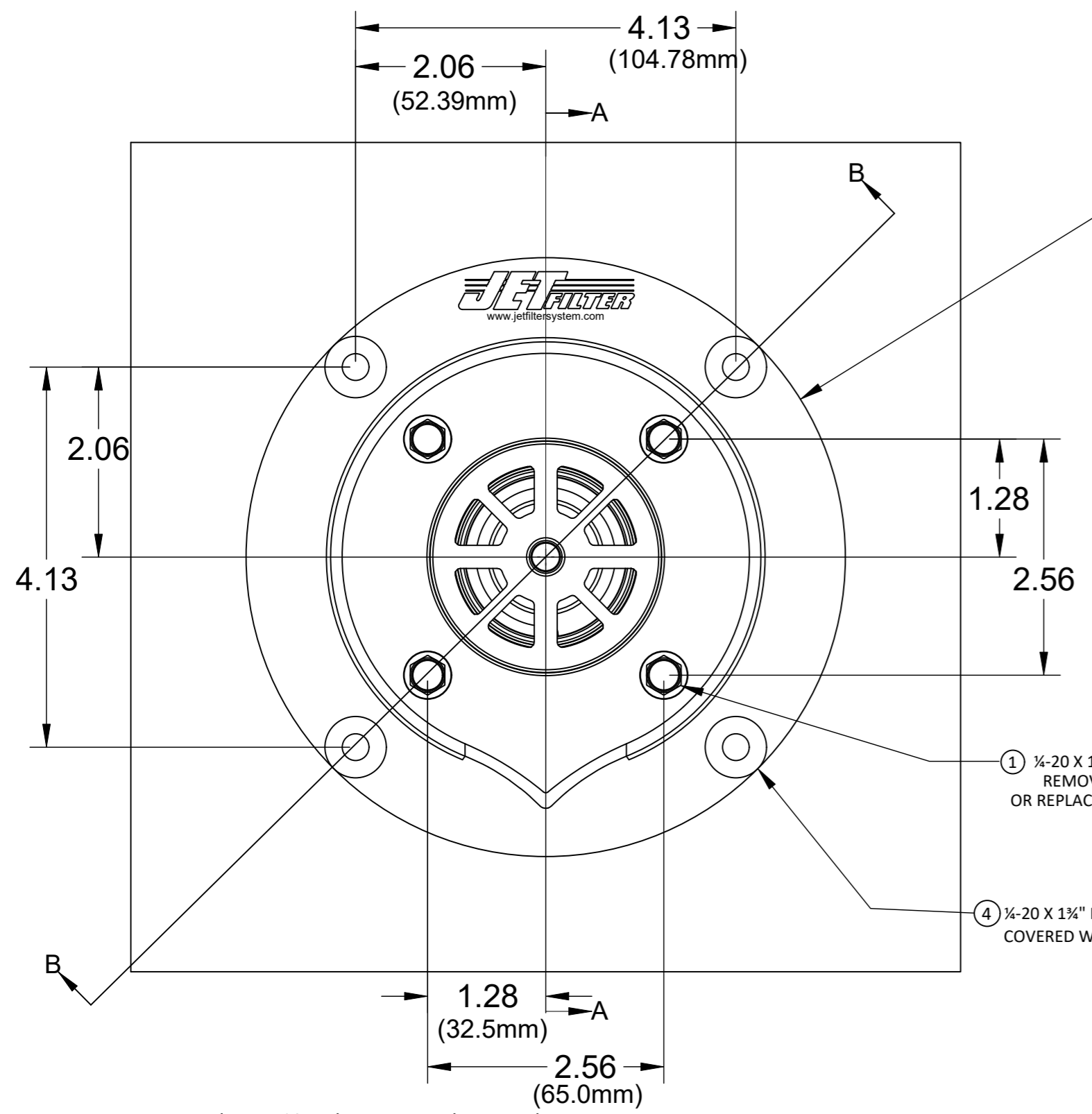
INFORMATION

CROSS SECTION B-B  
STANDARD HOUSING AND  
FILTER ASSEMBLY MOUNTING

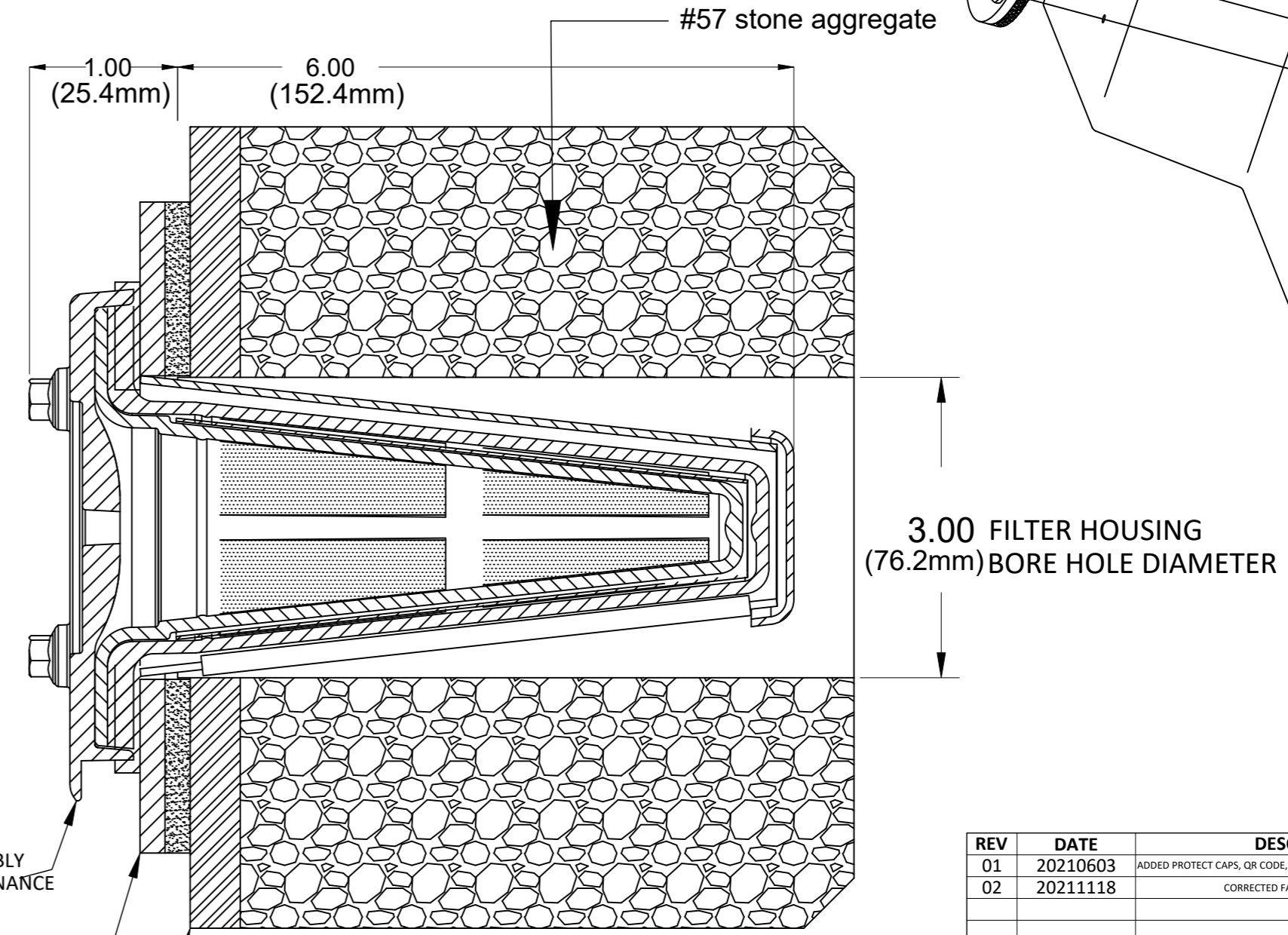


#	ITEM	DESCRIPTION	QTY
1	Screw, Filter Cartridge Mtg.	1/4-20x1" Screw, 316ss with 3/8" hex head	4
2	JF3-FP	Cartridge Face Plate	1
3	JF3-FC	Filter Cartridge Assembly	1
4	Screw, Filter Housing Mtg.	1/4-20x1 1/2" Screw, 316ss with 5/16 hex head	4
5	JF3-HSS	Filter Housing Assembly	1
6	PT4CBR100	Plastic Protection Cap	4
7	PT4W100	Plastic Protection Washer	4
8	Gaskets, Filter & Housing Mtg.	NeopreneRubber/EPDMPolymetric Blend	1 EA

**PILOT HOLE SIZES FOR MOUNTING:**  
 CONCRETE/MSE: 3/16"  
 STEEL: 15/64" TO 7/32"  
 VINYL: PILOT HOLE NOT REQUIRED  
 COMPOSITE: PILOT HOLE NOT REQUIRED  
 WOOD: PILOT HOLE NOT REQUIRED



Ø6.50 FILTER HOUSING  
(165.1mm) OUTSIDE DIAMETER



CROSS SECTION A-A

- 1 1/4-20 X 1" MOUNTING SCREW  
REMOVABLE TO MAINTAIN  
OR REPLACE THE FILTER CARTRIDGE
- 3 FILTER CARTRIDGE ASSEMBLY  
REMOVABLE FOR MAINTENANCE
- 4 1/4-20 X 1 1/2" PERMANENT MOUNTING SCREW  
COVERED WITH A PLASTIC PROTECTION CAP.
- 5 1/4" FILTER HOUSING ASSEMBLY  
PERMANENT MOUNT

RETAINING WALL FACE  
(CONCRETE/MSE, STEEL, VINYL, COMPOSITE, WOOD)

REV	DATE	DESCRIPTION	INITIALS
01	20210603	ADDED PROTECT CAPS, QR CODE, NOTES, SHEETPILE VIEW & SHADED WALLS	LB
02	20211118	CORRECTED FASTENER INFORMATION	LB

**JET Filter System** / 107 NW 1st St.  
 Casey, IL 62420  
 info@jetfiltersystem.com / (800)475-2029

DRAWING NAME		3" Dia. Open End JET Filter	
PATENT # 7,615,148		SCALE 1=1	
MATERIAL	SHRINKAGE	SCALE	REV 02
2 PLACES	3 PLACES	ANGLES	
± 0.01	± 0.001	± 1.0°	
DATE	SHEET	OF	PAGE #
11-18-21	1	1	1
DWG NO. JF3SS			

Filter Housing Mounting Flange: 1/4-inch 316L Stainless Steel  
 Filter Housing Cone: 16 Gauge 316L Stainless Steel perforated with 1/4-inch holes, staggered 5/16-inch  
 Filter Cartridge: UV Protected ABS  
 Filter Media: 17.44 square inches of flowable Tencate Mirafi Woven Fabrics FW300



TOLERANCES UNLESS OTHERWISE SPECIFIED			
2 PLACES	3 PLACES	ANGLES	
± 0.01	± 0.001	± 1.0°	
DEVIATIONS FROM INTENDED SHAPE (FLATNESS, ROUNDNESS, SQUARENESS ETC.) MUST BE WITHIN STATED TOLERANCES			