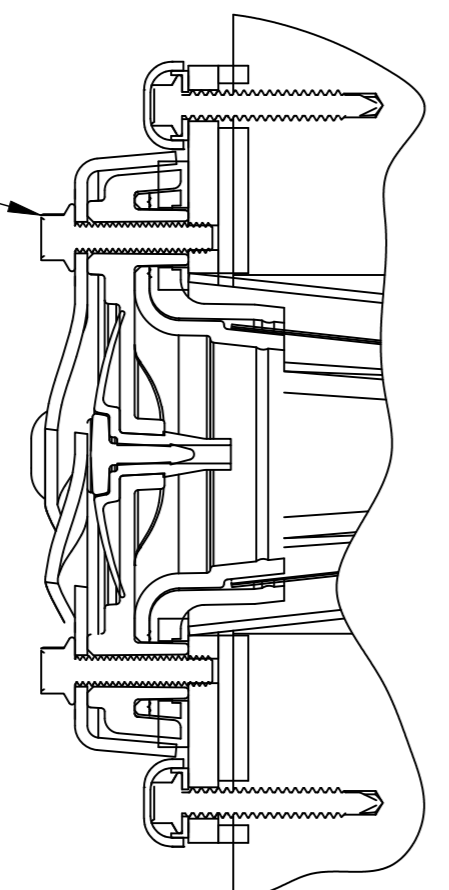


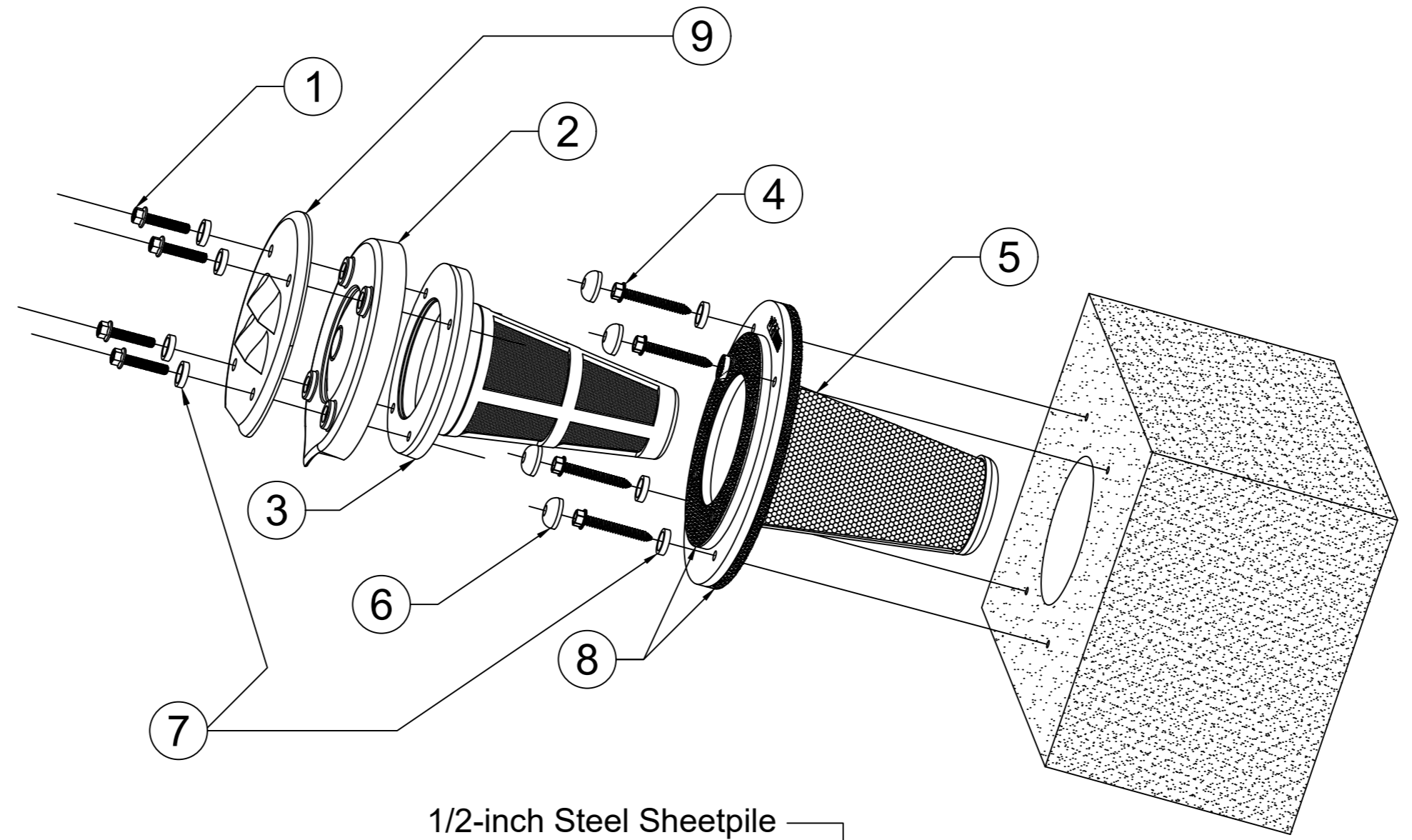
① ¼-20 X 1¼" SCREW  
Removable to maintain or replace the filter cartridge.

PRODUCT

INFORMATION

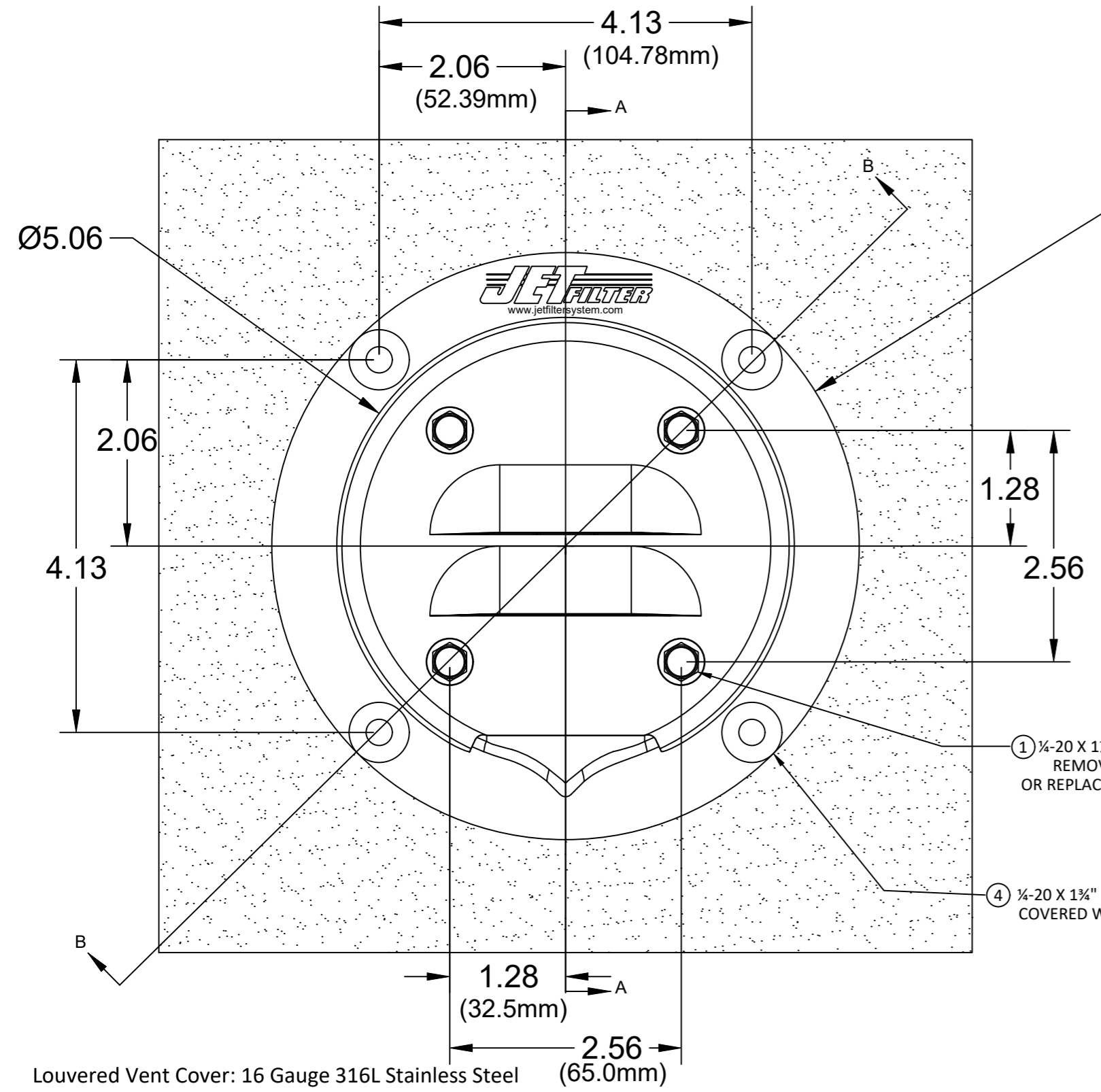
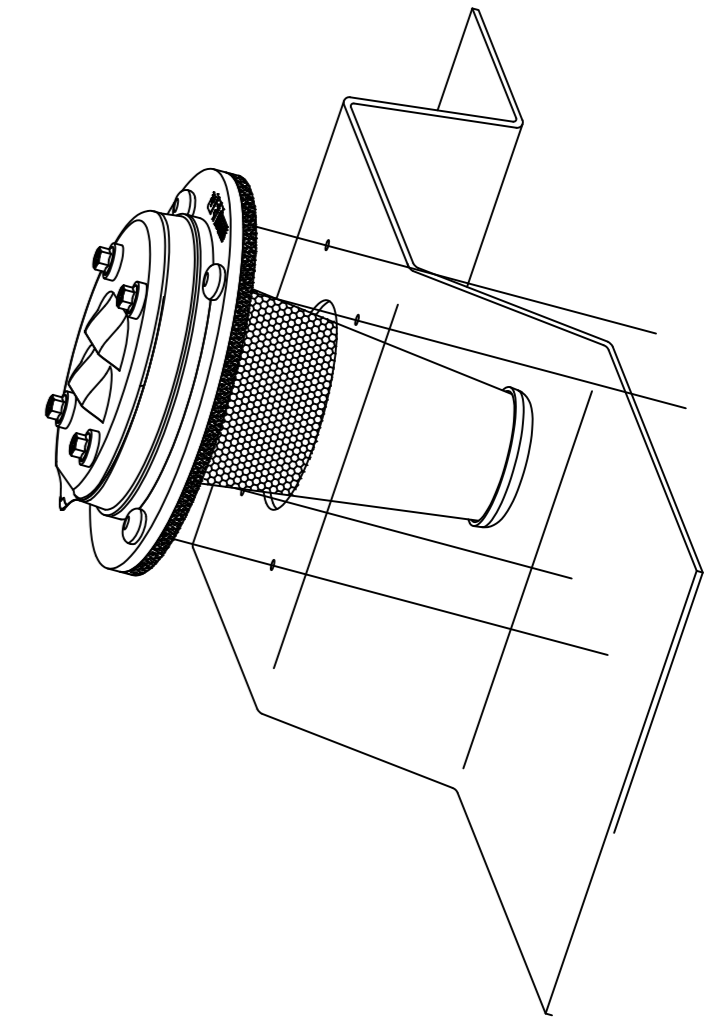


CROSS SECTION B-B  
STANDARD HOUSING AND  
FILTER ASSEMBLY MOUNTING



#	ITEM	DESCRIPTION	QTY
1	Screw, Filter Cartridge Mtg.	¼-20x1¼" Screw, 316ss with 3/8" hex head	4
2	JF3-CV	Check Valve, Face Plate	1
3	JF3-FC	Filter Cartridge Assembly	1
4	Screw, Filter Housing Mtg.	¼-20x1¼" Screw, 316ss with 5/16" hex head	4
5	JF3-HSS	Filter Housing Assembly	1
6	PT4CBR100	Plastic Protection Cap	4
7	PT4W100	Plastic Protection Washer	4
8	Gaskets, Filter & Housing Mtg.	NeopreneRubber/EPDMPolymetric Blend	1 EA
9	JF3-LV	Cover, Louvered Vent	1

**PILOT HOLE SIZES FOR MOUNTING:**  
 CONCRETE/MSE: 3/16"  
 STEEL: 15/64" TO 7/32"  
 VINYL: PILOT HOLE NOT REQUIRED  
 COMPOSITE: PILOT HOLE NOT REQUIRED  
 WOOD: PILOT HOLE NOT REQUIRED



1/2-inch Steel Sheetpile

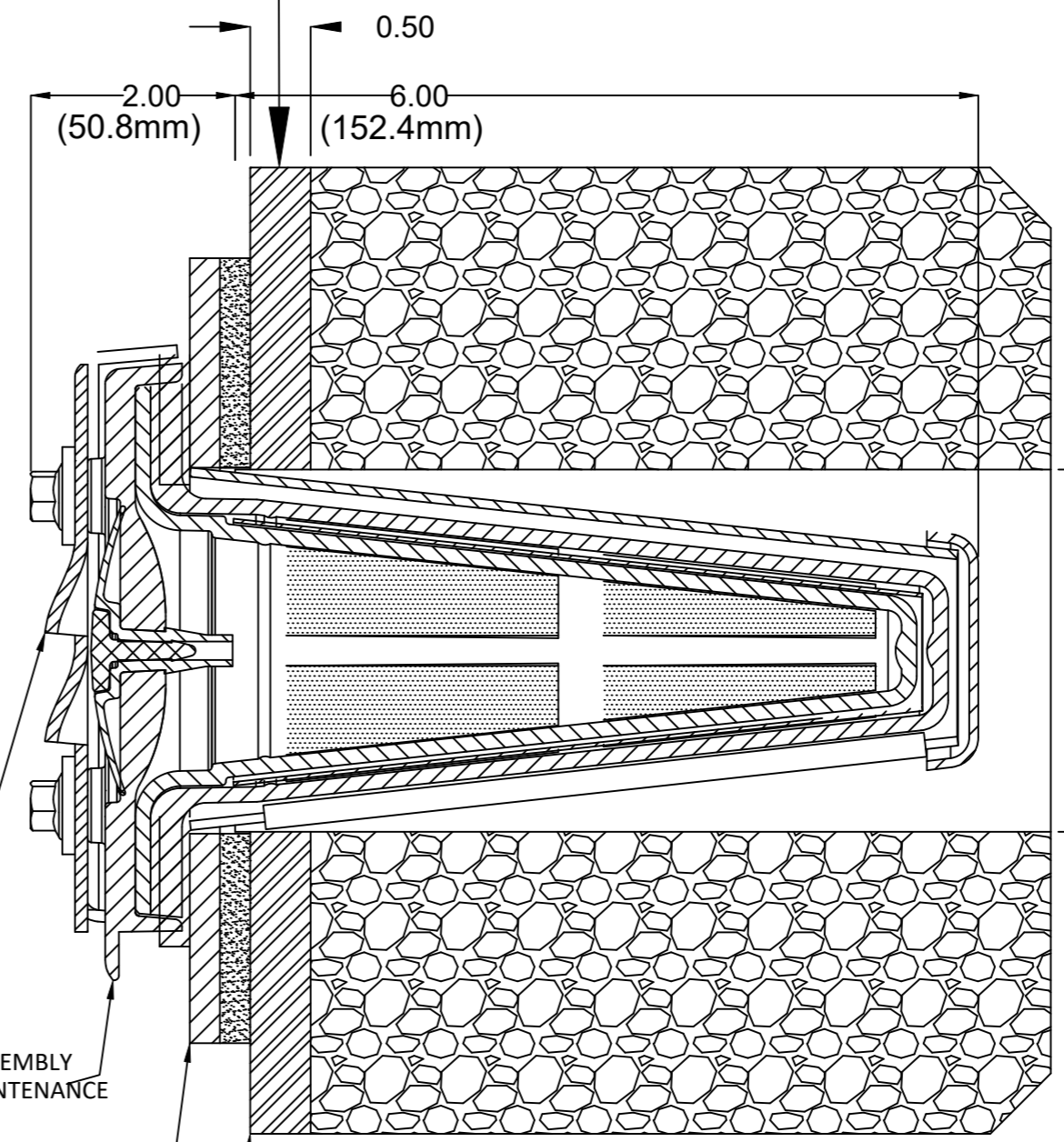
Ø6.50 FILTER HOUSING  
(165.1mm) OUTSIDE DIAMETER

⑨ LOUVERED VENT COVER  
REMOVABLE FOR MAINTENANCE

③ FILTER CARTRIDGE ASSEMBLY  
REMOVABLE FOR MAINTENANCE

⑤ FILTER HOUSING ASSEMBLY  
PERMANENT MOUNT

RETAINING WALL FACE  
(CONCRETE/MSE, STEEL, VINYL, COMPOSITE, WOOD)



CROSS SECTION A-A

Louvered Vent Cover: 16 Gauge 316L Stainless Steel  
 Filter Housing Faceplate: ¼-inch 316L Stainless Steel  
 Filter Housing Cone: 16 Gauge 316L Stainless Steel perforated with ¼-inch holes, staggered 5/16-inch  
 Filter Cartridge: UV Protected ABS  
 Filter Media: 17.44 square inches of flowable Tencate Mirafi Woven Fabrics FW300



TOLERANCES UNLESS OTHERWISE SPECIFIED		
2 PLACES	3 PLACES	ANGLES
± 0.01	± 0.001	± 1.0°
DEVIATIONS FROM INTENDED SHAPE (FLATNESS, ROUNDNESS, SQUARENESS ETC.) MUST BE WITHIN STATED TOLERANCES		

REV	DATE	DESCRIPTION	INITIALS
01	20210603	ADDED PROTECT CAPS, QR CODE, NOTES, SHEETPILE VIEW & SHADED WALLS	LB
02	20211118	CORRECTED FASTENER INFORMATION	LB
03	20220325	INCREASED LINE THICKNESS AND CORRECTED ITEM # 2 TITLE	LB

**JET Filter System** / 107 NW 1st St.  
 Casey, IL 62420  
 info@jetfiltersystem.com / (800)475-2029

DRAWING NAME		3" Dia. Closed End JET Filter w/ Louver Vent	
PATENT # 10,124,281			
MATERIAL	SHRINKAGE	SCALE	1=1
DRAWN BY	LB	CHECKED BY	
DATE	11-18-21	SHEET	1 OF 1 SHEETS
DWG NO.		JF3SSCVLV	
PAGE #		1	