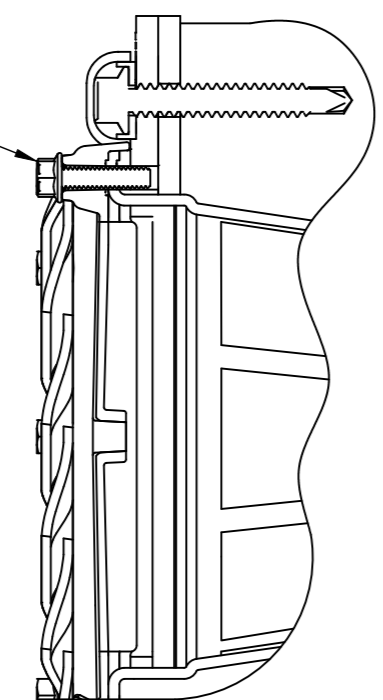


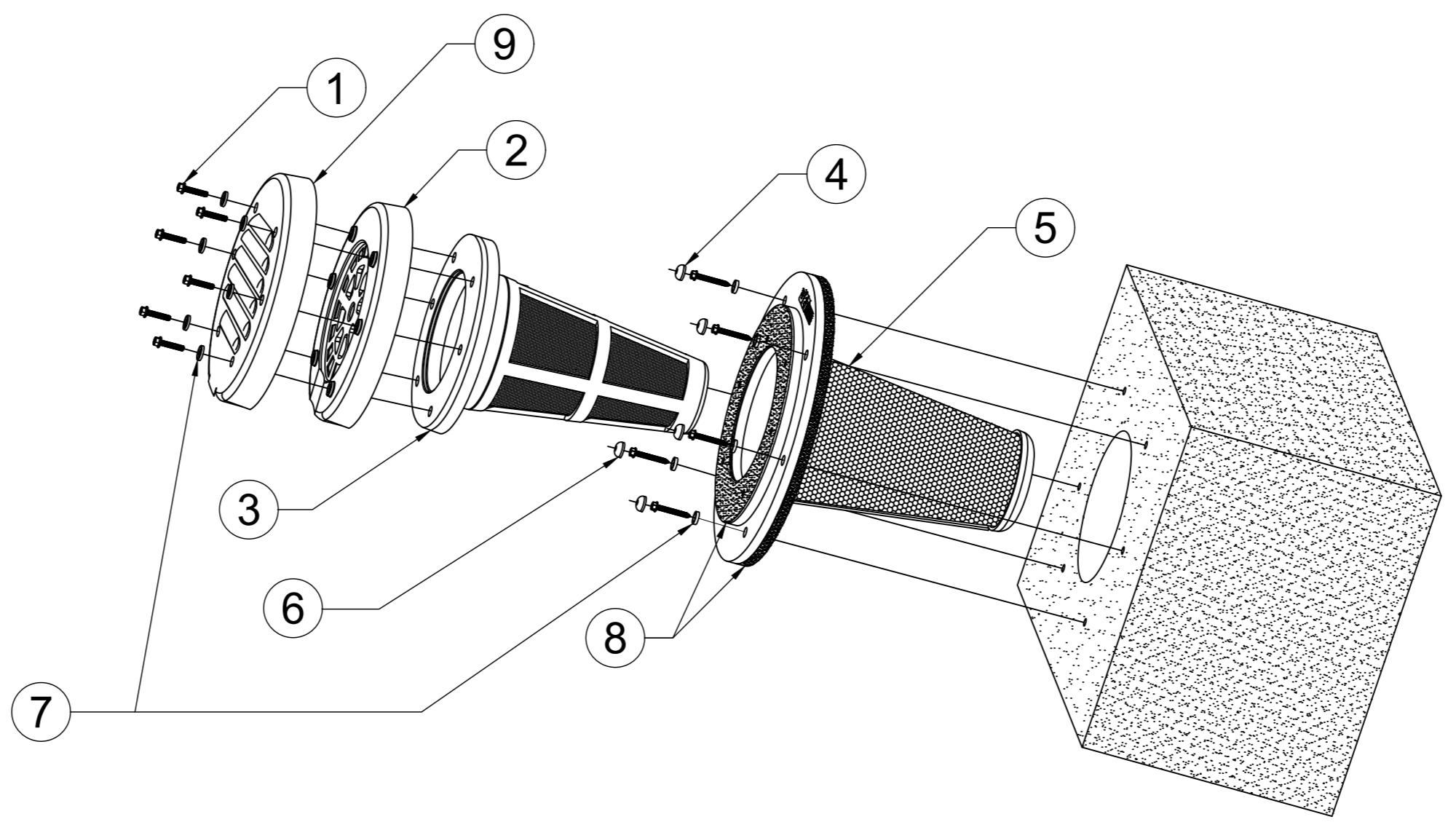
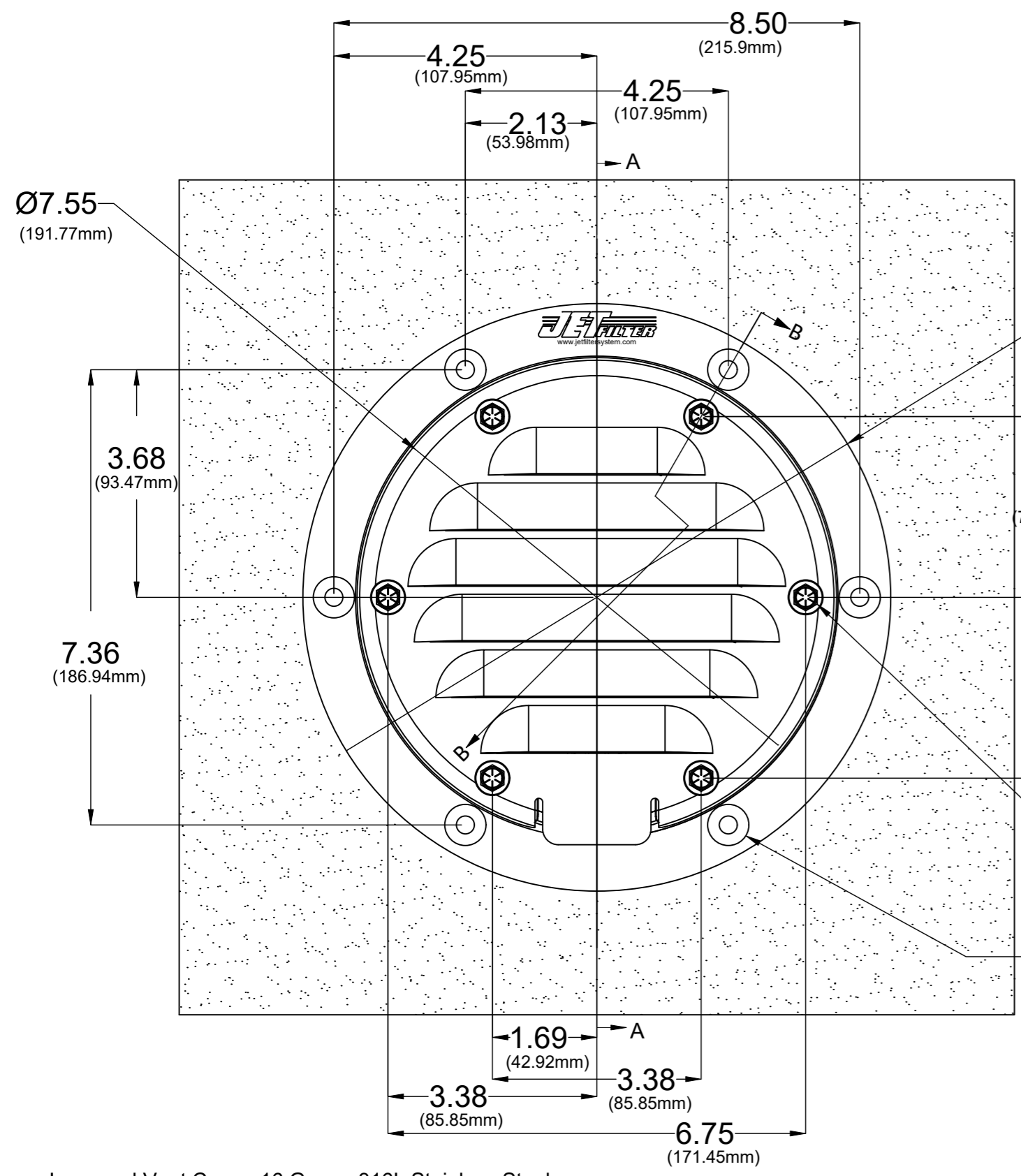
**1** ¼-20 X 1¼" SCREW  
Removable to maintain or replace the filter cartridge.

PRODUCT



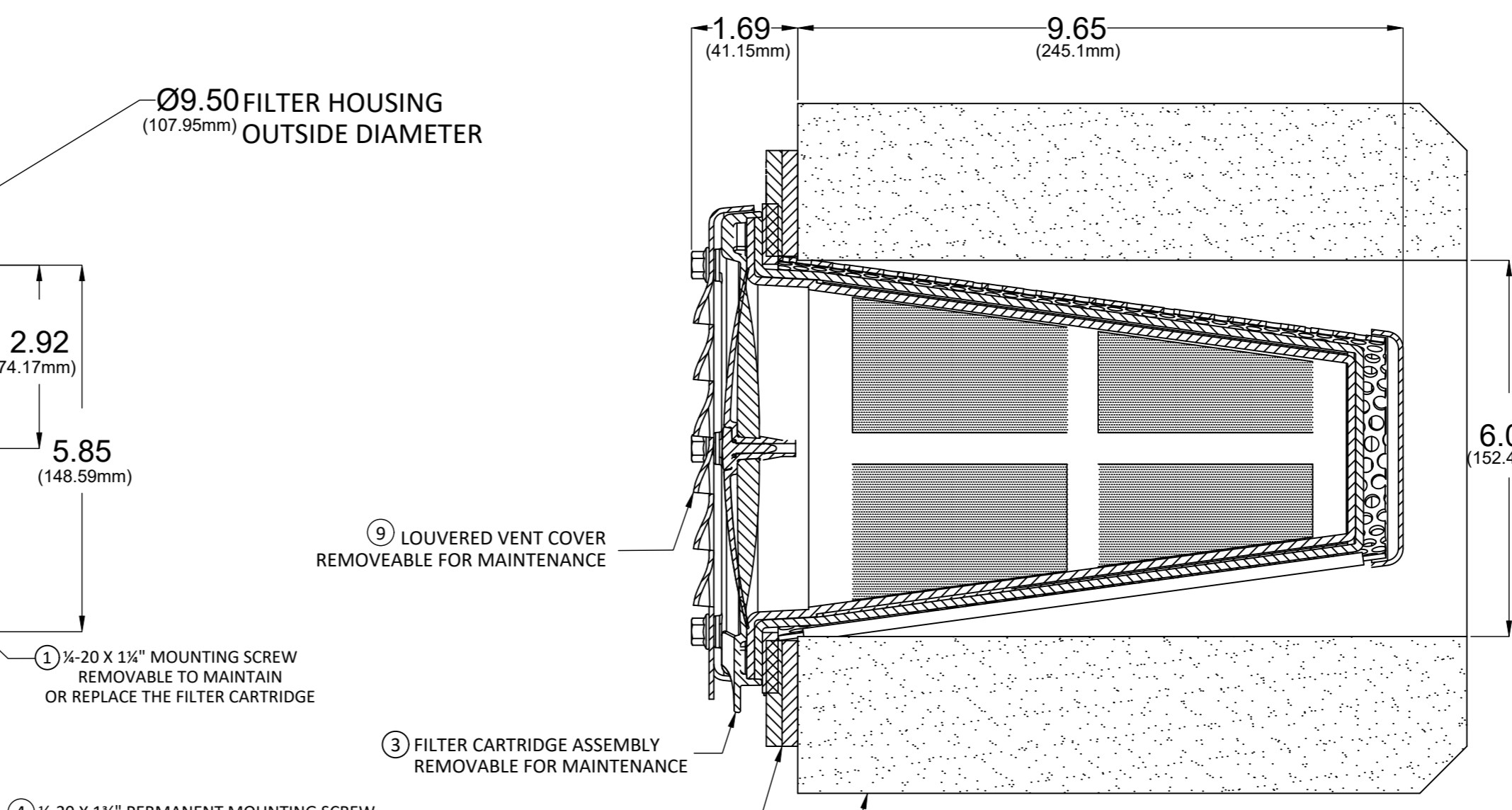
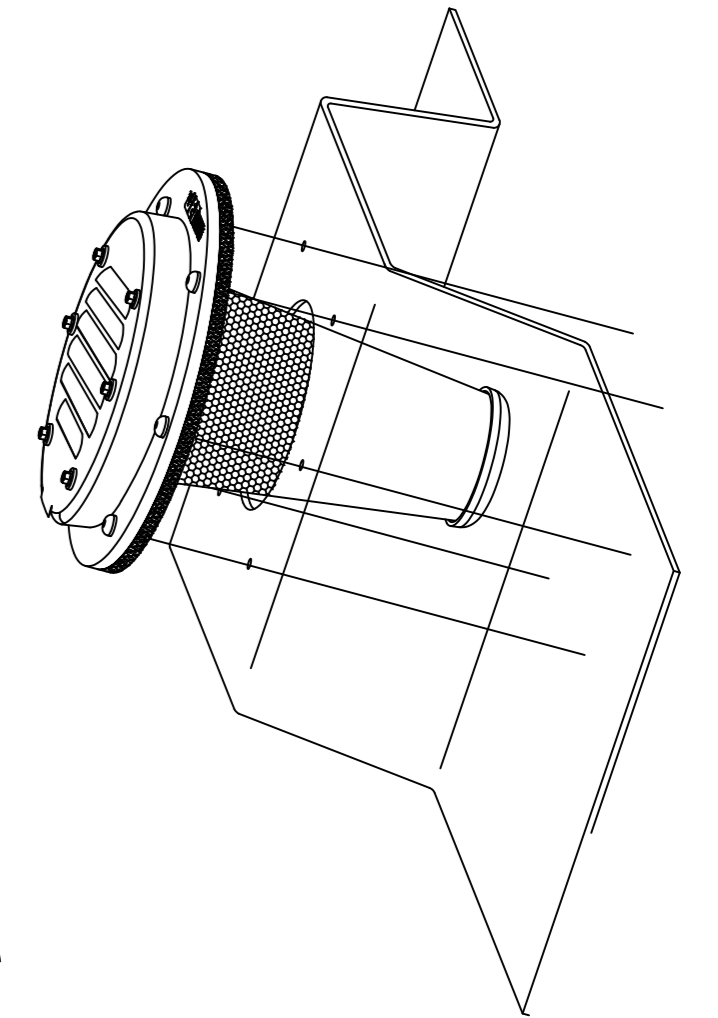
CROSS SECTION B-B

INFORMATION



#	ITEM	DESCRIPTION	QTY
1	Screw, Filter Cartridge Mtg.	¼-20x1¼" Screw, 316ss with 3/8" hex head	6
2	JF6-CV	Check Valve, Cartridge Face Plate	1
3	JF6-FC	Filter Cartridge Assembly	1
4	Screw, Filter Housing Mtg.	¼-20x1¼" Screw, 316ss with 5/16" hex head	6
5	JF6-HSS	Filter Housing Assembly	1
6	PT4CBR100	Plastic Protection Cap	6
7	PT4W100	Plastic Protection Washer	6
8	Gaskets, Filter & Housing Mtg.	NeopreneRubber/EPDMPolymetric Blend	1 EA
9	JF6-LV	Cover, Louvered Vent	1

**PILOT HOLE SIZES FOR MOUNTING:**  
 CONCRETE/MSE: 3/16"  
 STEEL: 15/64" TO 7/32"  
 VINYL: PILOT HOLE NOT REQUIRED  
 COMPOSITE: PILOT HOLE NOT REQUIRED  
 WOOD: PILOT HOLE NOT REQUIRED



CROSS SECTION A-A

Louvered Vent Cover: 16 Gauge 316L Stainless Steel  
 Filter Housing Faceplate: ¼-inch 316L Stainless Steel  
 Filter Housing Cone: 16 Gauge 316L Stainless Steel perforated with ¼-inch holes, staggered 5/16-inch  
 Filter Cartridge: UV Protected ABS  
 Filter Media: 76.5 square-inches of Tencate Mirafi Woven Fabrics FW300

REV	DATE	DESCRIPTION	INITIALS
01	20210603	ADDED PROTECT CAPS, OR CODE, NOTES, SHEETPILE VIEW & SHADED WALLS	LB
02	20210913	REMOVED REFERENCES TO POWDER COATING	LB
03	20220325	INCREASE LINE THICKNESS AND CORRECT ITEM # 2 TITLE	LB

**JET Filter System** / 107 NW 1st St.  
 Casey, IL 62420  
 info@jetfiltersystem.com / (800)475-2029

DRAWING NAME: 6" Dia. Closed End JET Filter

TOLERANCES UNLESS OTHERWISE SPECIFIED		MATERIAL	SHRINKAGE	SCALE	REV
2 PLACES	3 PLACES	ANGLES		1=1	03
± 0.01	± 0.001	± 1.0°			
DEVIATIONS FROM INTENDED SHAPE (FLATNESS, ROUNDNESS, SQUARENESS ETC.) MUST BE WITHIN STATED TOLERANCES					
DATE	12-10-2019	SHEET	1 OF 1	DWG NO.	JF6SSCVLV
				PAGE #	1

